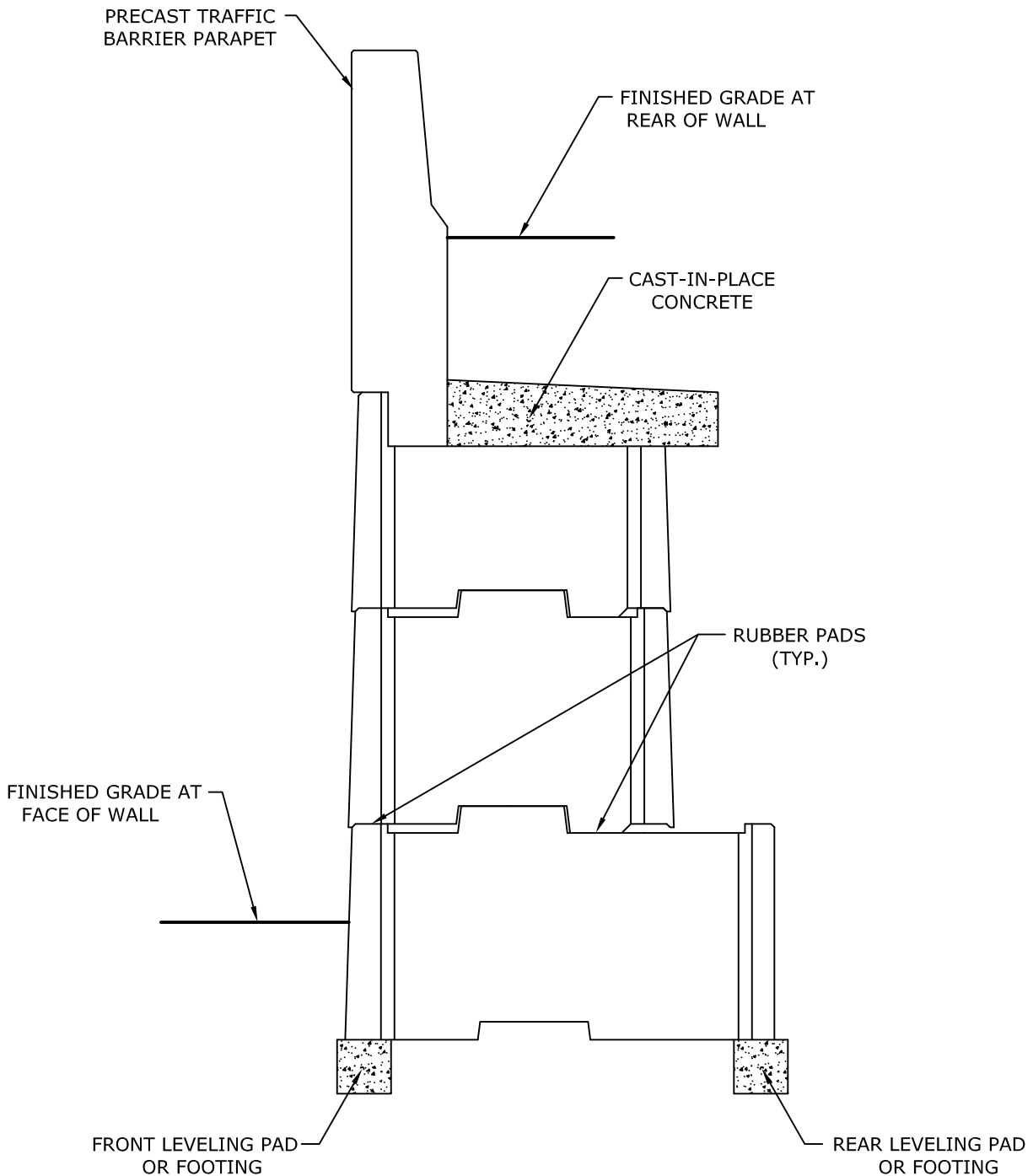


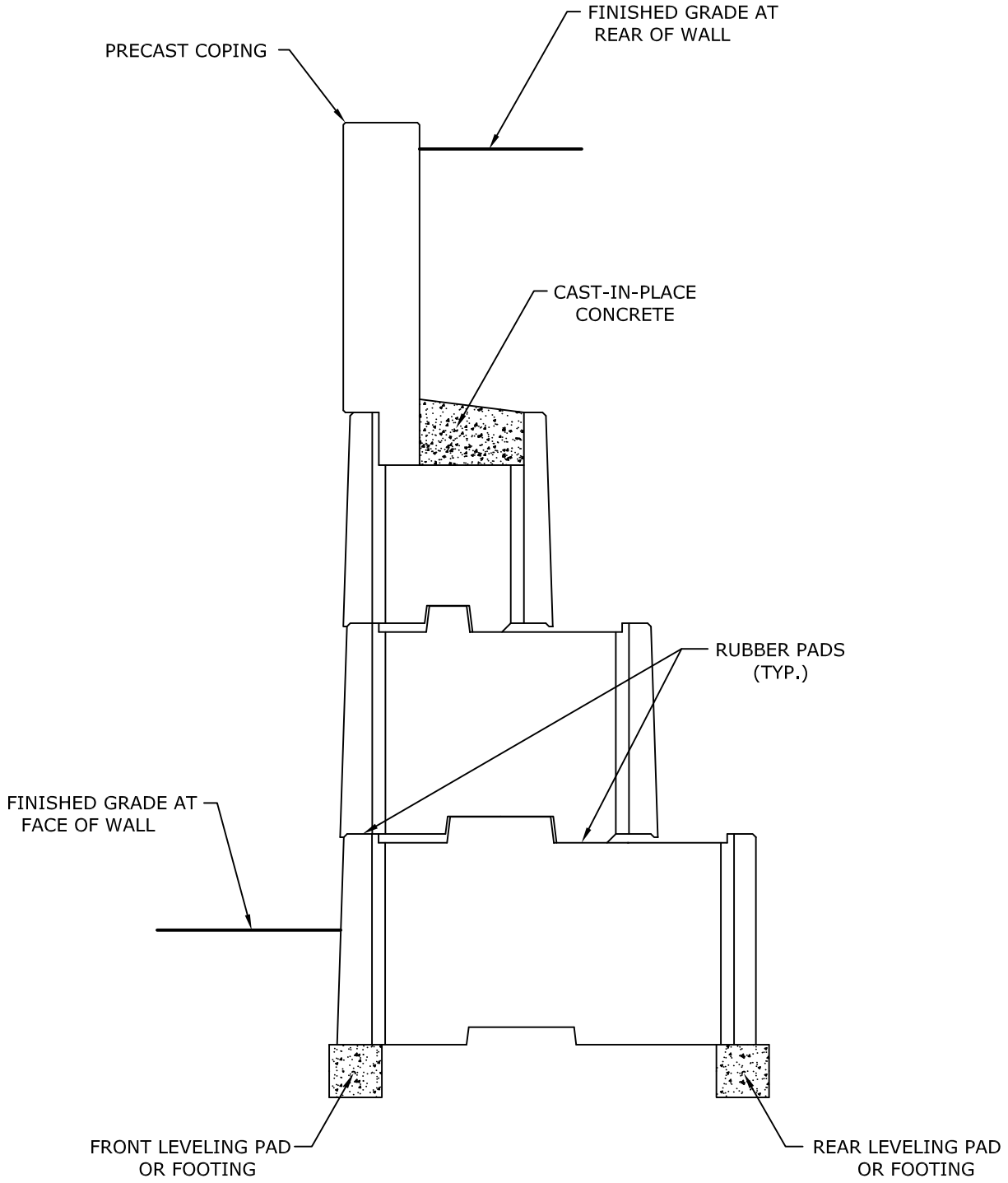
TYPICAL SECTION - 50' HIGH WALL

N.T.S.



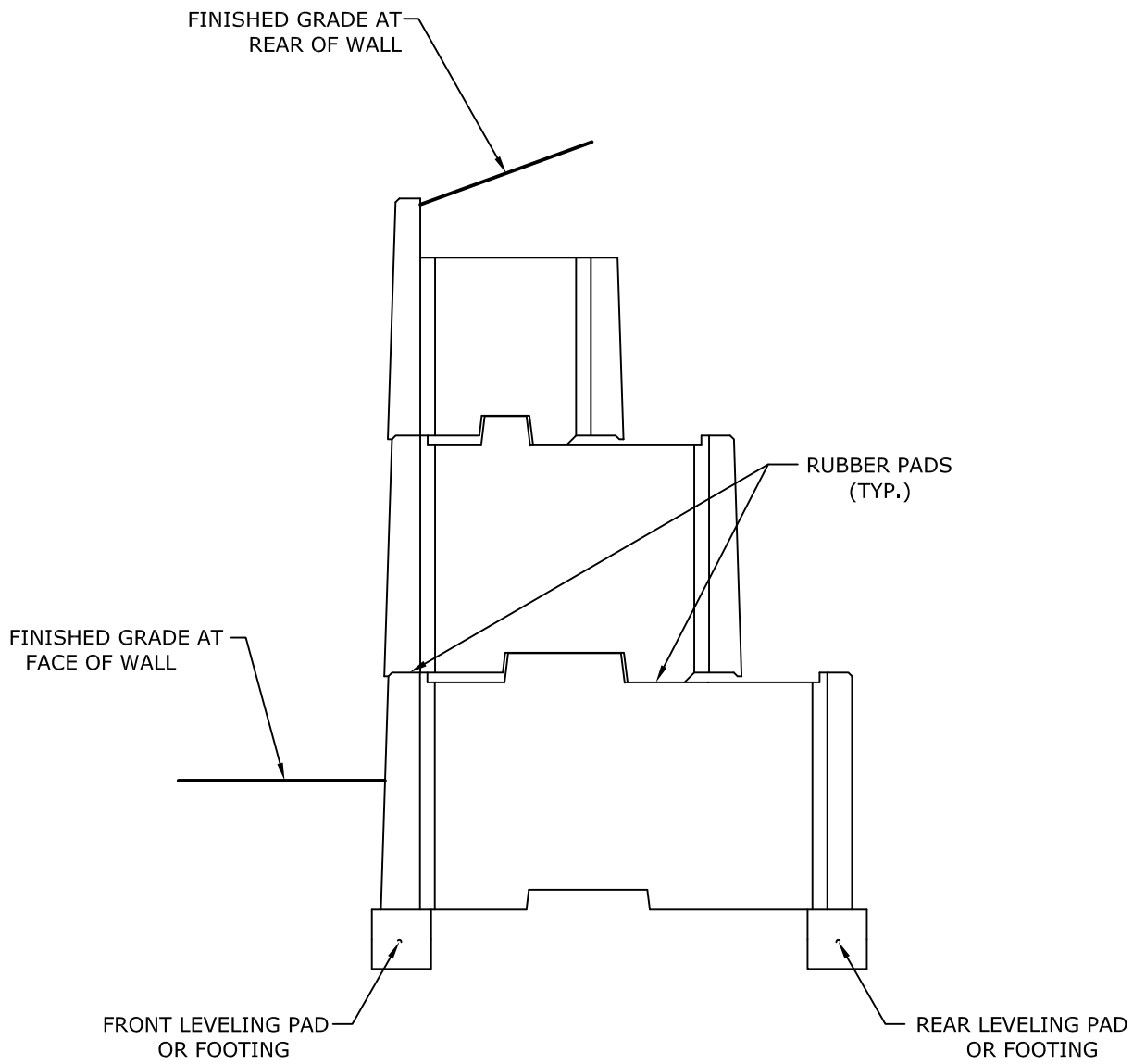
TYPICAL SECTION WITH TRAFFIC BARRIER PARAPET

N.T.S.



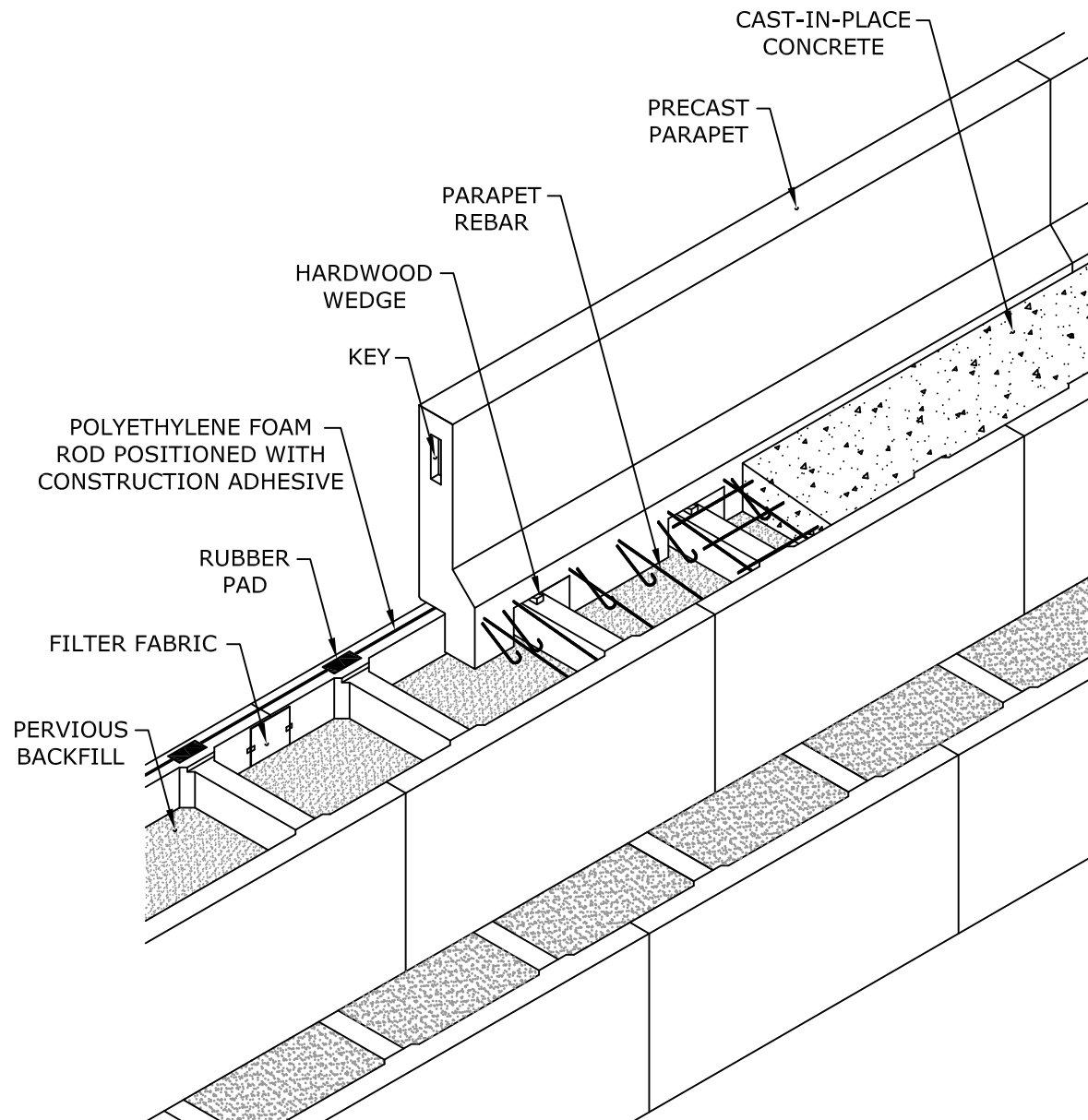
TYPICAL SECTION WITH COPING

N.T.S.



TYPICAL SECTION WITH SPECIAL TOP MODULE

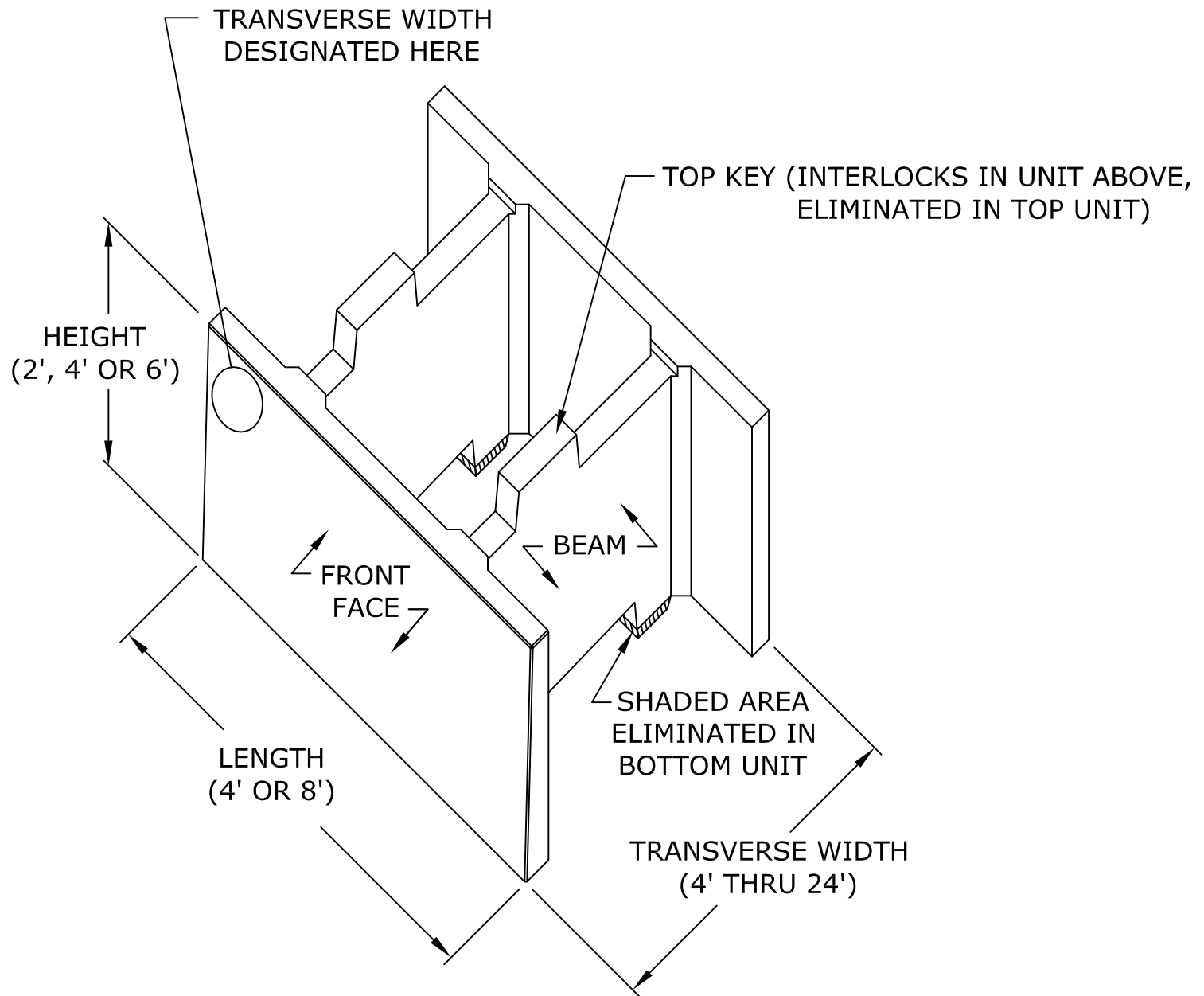
N.T.S.



TYPICAL DOUBLEWAL ISOMETRIC

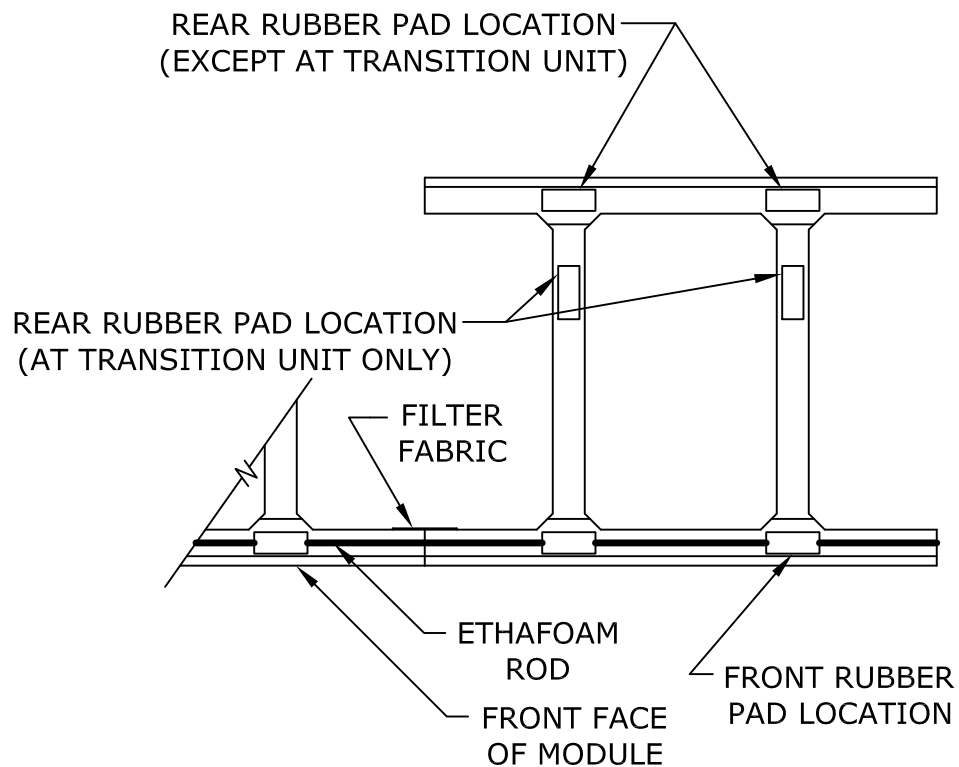
(REAR FACE OF WALL)

N.T.S.



TYPICAL DOUBLEWAL MODULE

N.T.S.



UNIT PLAN VIEW

N.T.S.

NOTES:

1. ALL RUBBER PADS SHALL BE 5"X8"X3/8"+/-. PADS MAY BE USED IN COMBINATIONS OF 1/8", 1/4", AND 3/8". MAXIMUM TOTAL THICKNESS OF 3/4". PADS SHALL BE MANUFACTURED BY J.V.I. INC., SKOKIE, ILLINOIS.
2. THE SPACE BETWEEN PADS IN FRONT FACE SHALL BE FILLED WITH ETHAFOAM ROD.
3. ALL HALF UNITS SHALL HAVE THREE PADS AT FRONT FACE.